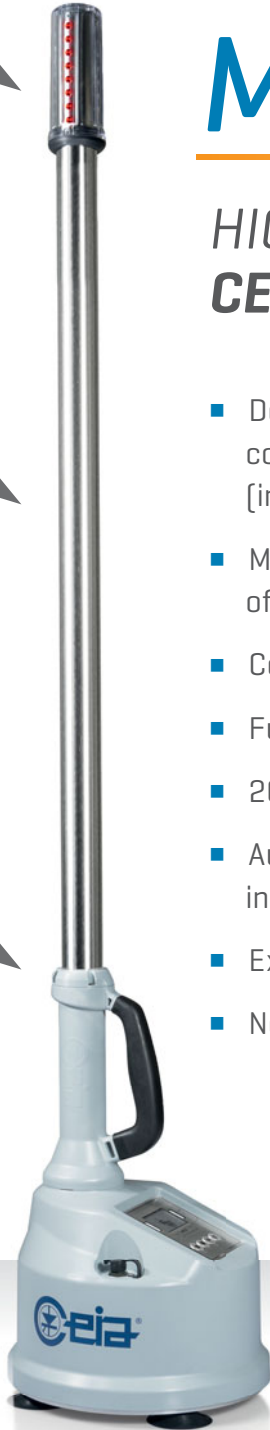




Zone of alarm indication

One-piece and lightweight design (total weight only 9,5 kg)

Ready for immediate use



MSD *Magneto Static Detector*

HIGHLY PORTABLE CELL PHONE DETECTOR

- Detection of all cell phones and other contraband concealed on the person or in body cavities (including keyfob cell phones) with or without batteries
- Multi-Zone targeting indication identifies location of contraband on the body
- Covert operation through use of Bluetooth headset (included)
- Fully weather proof for outdoor use
- 26 hours continuous use on embedded battery operation
- Automatic adjustments offer unmatched detection in all environments
- Extremely durable design
- No assembly required: immediately ready for stand-alone use



www.ceia.net

Threat Detection through Electromagnetics

CEIA reserves the right to make changes, at any moment and without notice, to the models (including programming), their accessories and options, to the prices and conditions of sale



The illegal use of cell phones is a growing and dangerous problem in correctional institutions worldwide.

These devices are a significant threat to prison security and circumvent the monitoring processes in prisons, while helping inmates commit new crimes both inside and outside the facility.

CEIA MSD was specifically **designed to detect all cell phones and other contraband concealed on the person or in body cavities** [including key fob cell phones, smart phones, radio transceivers, etc.] quickly and easily.

Benefits

- Detection of all cell phones and other contraband concealed on the person or in body cavities [including keyfob cell phones] with or without batteries
- Detection of magnets and ferromagnetic metals
- Full-height, 360° detection
- 5 individual zones for pinpointing locations of contraband on the body
- Covert operation through use of Bluetooth headset [included]
- Fully weather proof for outdoor use
- Up to 26 hours continuous battery operation with 4.5 hours charge
- One-piece and lightweight design [total weight only 21 lbs with batteries included] easily transportable by one person
- Automatic adjustments offer unmatched detection in all environments
- Extremely durable design using stainless steel and high impact reinforced plastics
- Anti-tip suction cups for securing to smooth floor surfaces [included]
- No assembly required: immediately ready for stand-alone use
- Non-emitting device: safe for use for pace-makers and other medical implants



- 1 High-definition graphic display
- 2 Power indicator
- 3 4-key keypad
- 4 Alarm indicator

Carrying case for personal transport and storage

- Heavy-duty lightweight carry system
- Custom fit to the MSD shape
- Dedicated pocket for accessories
- Space-saving
- Included parts:



Carrying case stores all included parts

- MSD Magneto Static Detector unit
- Installation kit: 4 rubber feet, 6 mm allen key, Test sample
- External AC/DC battery charger adapter
- Carrying case
- Bluetooth headset

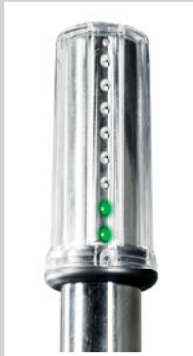


The **CEIA MSD** is a one-piece, portable and full-height ferromagnetic detector that **combines high reliability and ergonomics with advanced detection** and operator signaling features.

The one-piece design allows the CEIA MSD **to be easily transported and operational in a very short time.**



Bright multi-color status indicator



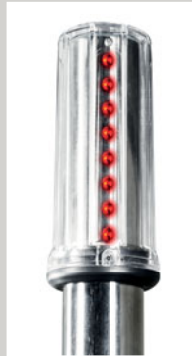
GREEN LIGHT

Normal operation, no detection.



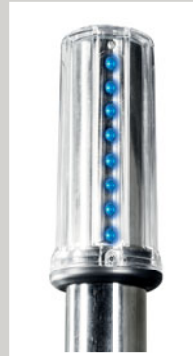
YELLOW LIGHT

Warning proportional indication: target detection under the alarm threshold.



RED LIGHT

Alarm indication: target detection over the alarm threshold.



BLUE LIGHT

Autolearn automatic adjustment procedure/ connecting Bluetooth device in progress.

COVERT ALARM SIGNALING VIA BLUETOOTH HEADSET



Warning indication for signal under the alarm threshold, with fixed or proportional pitch

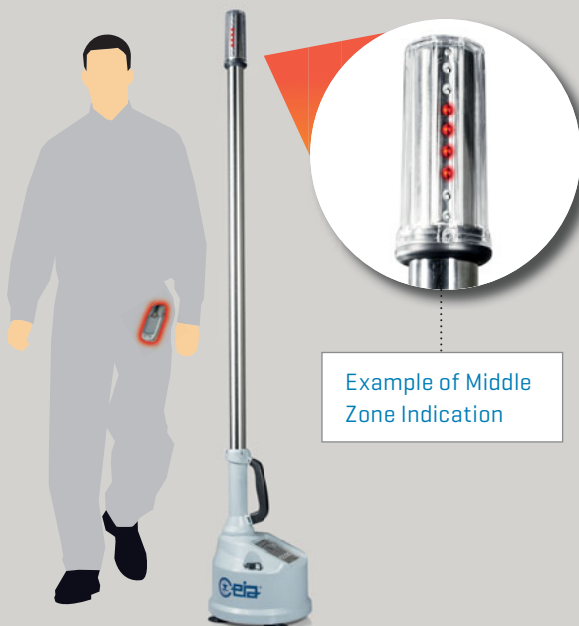
Alarm indication for signal over the alarm threshold, with fixed or proportional pitch

Warning and alarm indications adjustable in continuous/pulsed tone and volume

Low battery: double beep

Self-diagnosis alert: intermittent tone

Multi-zone target indication





MSD Specifications

CONTROLS AND INDICATORS

	ON/OFF push-button	
	4-key keypad, for programming and status readout	
Security	<ul style="list-style-type: none"> Programming Access protected by User and Super User password 	
Power indicator	<ul style="list-style-type: none"> White lamp 	
Alarm indicator	<ul style="list-style-type: none"> Green light: normal operation, no detection Red light: target detection over the alarm threshold / Fault indication Blue light: autolearn procedure/connecting Bluetooth device in progress 	
Graphic display	<ul style="list-style-type: none"> Messages during use, programming and self-diagnosis alerts 	
Multi-color status indicator	<ul style="list-style-type: none"> Green light: normal operation, no detection Yellow light: proportional target detection under the alarm threshold Red light: <ul style="list-style-type: none"> - Continuous light: target detection over the alarm threshold - 5 different zone indication - Blinking light: fault Blue light: autolearn procedure/connecting Bluetooth device in progress 	
Alarm Sounder	<ul style="list-style-type: none"> Alarm indication for target over the alarm threshold, with fixed or proportional pitch Warning and alarm indications adjustable in continuous/pulsed tone and volume Battery low: double beep Self-diagnosis alert: intermittent tone 	
Bluetooth headset	<ul style="list-style-type: none"> Warning indication for target under the alarm threshold, with fixed or proportional pitch Alarm indication for target over the alarm threshold, with fixed or proportional pitch Warning and alarm indications adjustable in continuous/pulsed tone and volume Battery low: double beep Diagnosis: intermittent tone 	
POWER SUPPLY	AC/DC external power charger (IP44)	100 ... 240 V~ , 47...63Hz, 40W
	Embedded rechargeable battery	Up to 17 h of continuous operation with 3 h battery charge Up to 26 h of continuous operation with 4.5 h battery charge
DETECTOR ENVIRONMENTAL CONDITIONS	Working temperature	-10°C to +65°C
	Storage temperature	-37°C to +70°C
	Relative humidity	0 to 95%, non-condensing
WEIGHT	<ul style="list-style-type: none"> MSD: 9,5 kg Carrying case: 0,6 Kg 	<ul style="list-style-type: none"> AC/DC adapter: 0,7 Kg Installation kit: 0,3 kg
		<ul style="list-style-type: none"> Bluetooth kit: 0,2 kg (includes battery charger)
MSD DIMENSIONS	Height: 1900 mm	Width: 330 mm
SHIPPING INFORMATION	Dimensions (WxDxH)	400 mm x 2000 mm x 480 mm
	Weight	24 kg
DETECTOR DEGREE OF PROTECTION	Fully weather proof for outdoor use (IP65)	
AVAILABLE ACCESSORIES	Additional Bluetooth headset: ordering code 70628 (one Bluetooth headset included)	
	MSD-RRU Remote Relay Unit: ordering code MSD-RRU	
	Wall mounting kit: ordering code 67258	
CERTIFICATION AND COMPLIANCE	Non-emitting device: safe for use for pace-makers and other medical implants	
	Compliant and certified to the applicable electromagnetic Standards on Human Exposure and pacemaker safety	
	Compliant with and certified to the applicable International Standards for electrical safety and EMC	

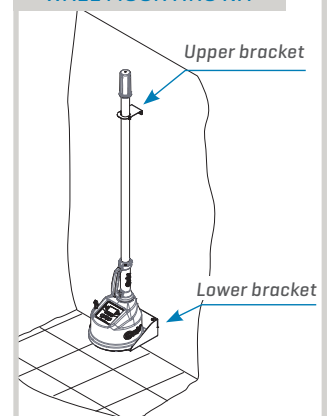
PASS-BY OPERATION



PASS-THRU OPERATION



WALL MOUNTING KIT



Zona Industriale 54/G, 52041 Vicinaggio - Arezzo [ITALY]

Tel.: +39 0575 4181 • Fax: +39 0575 418298 • E-mail: infosecurity@ceia-spa.com

www.ceia.net

CEIA reserves the right to make changes, at any moment and without notice, to the models (including programming), their accessories and options, to the prices and conditions of sale

DP220K0001V3000hUK-71090

