

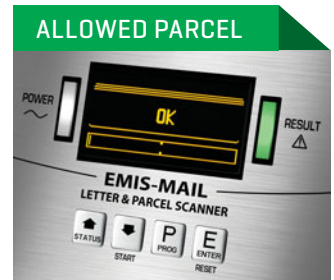
EMIS-MAIL

LETTER BOMB AND IED DETECTOR FOR MAIL & PARCEL INSPECTION

NSN: 6665150105807



According to EU Reg.
185/2010 on mail
security inspection



- Automatic inspection of parcels and letters up to 45 cm in width and 7.5 cm thickness
- Detection of detonators, batteries, trigger circuits and other metal components of parcel bombs
- No alarm on metal staples, paper-clips and metal binding spirals
- Ergonomic, compact design
- Confirmation of signal [OK/ALARM] for each package inspected
- Operates on the mains power supply and with built-in NiMH rechargeable batteries
- Integrated battery charger
- No calibration or periodic maintenance required
- Optional embedded detector of radioactive materials



www.ceia.net

Threat Detection through Electromagnetics

CEIA reserves the right to make changes, at any moment and without notice, to the models (including programming), their accessories and options, to the prices and conditions of sale

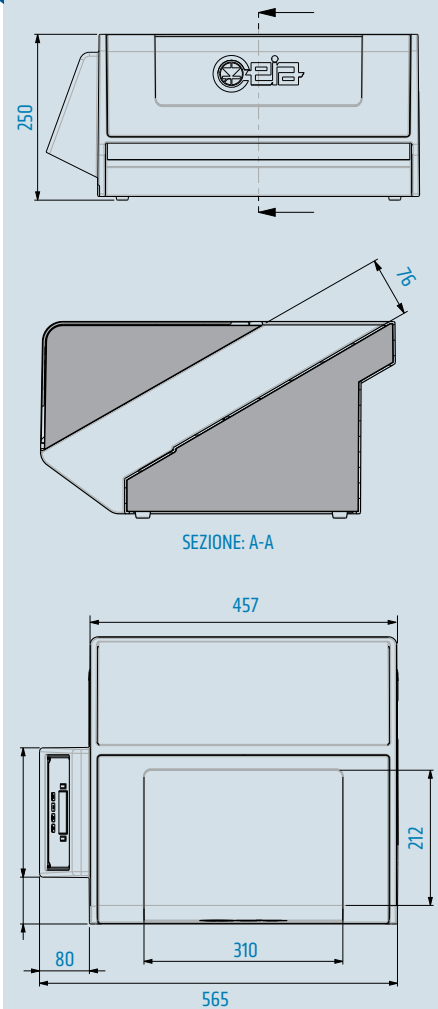


Specifications

GENERAL CHARACTERISTICS	High inspection speed		
	No alarm on metal staples, paper-clips and metal binding spirals		
	Digital programming with high-resolution OLED graphic display		
	Optical and acoustic alarm signaling		
	Integrated autodiagnosis system		
	Permanent memory storage of operating parameters without back-up batteries		
	Independent operation, with mains power supply or incorporated batteries		
	Specific Settings available for Prison parcels inspection (Dept. of Justice requirements)		
Compliant with NIJ-0602.02 Dept. of Justice Detection requirements			
STRUCTURE	Transit opening	450 mm x 75 mm	
	Degree of protection	IP40	
WEIGHT	16 kg		
POWER SUPPLY	Voltage	100-240 V~ single-phase - 50/60 Hz with external AC/DC adapter	
	Current	1.07 A max	
	Battery operation	6 x 1.2V NiMH size D incorporated	
		Battery life: 12 hours (8 hours with IXC module) Battery-charger incorporated: Recharging time 6 hours	
PROGRAMMING	Type	Local: via integrated keypad Remote: via Bluetooth, RS232	
	Data Logger Memory capacity	10.000 events	
SIGNALLING	Acoustic	Internal buzzer	
	Optical	High-contrast OLED graphic display with bar-graph indication	
		LED indicators on the control panel	RED: Alarm, Autodiagnosis GREEN: OK, Power supply BLUE: Alarm, detection of radioactive substances
SECURITY/SAFETY	Access to programming protected by password		
	Insulation from mains voltage		
COMMUNICATION	Incorporated Bluetooth (FCC ID: QQQWT12 - IC:5123A-BGTWT12A) interface, RS232		
ENVIRONMENTAL DATA	Temperature	Operating	-10 to +50 °C
		Storage	-25 to +60 °C
	Relative humidity	5 to 90 %, without condensation	
CONFORMITY*	Safety	UL61010-1 Safety requirements for electrical equipment for measurement, control and laboratory use - Part 1: General requirements	
	EMC	EN61000-6-1:2007 Electromagnetic Compatibility (EMC) - Part 6-1: Generic standards - Immunity for residential, commercial and light-industrial environments	
		EN61000-6-3:2007 Electromagnetic Compatibility(EMC) - Part 6-4: Generic standards - Emission standard residential, commercial and light-industrial environments	
*Test Reports available upon request			
European Directive 2004/108/CE			

NATO STOCK NUMBER 6665150105807

Dimensions (mm)



Options

GAMMA RADIATION DETECTION (code 67197)

- A detector of radioactive sources can be included on demand. The gamma alarm indication includes the activity level (low/medium/high) and the CPS value (counts per second).
- Analysis time: 5 seconds.

IXC MODULE (code 66751)

- Integrated Web-server
- 100base-T Ethernet
- Full Speed USB interface
- Wi-Fi 802.11b/g



Zona Industriale 54/G, 52041 Vicinaggio - Arezzo [ITALY]

Tel.: +39 0575 4181 Fax: +39 0575 418298 E-mail: infosecurity@ceia-spa.com